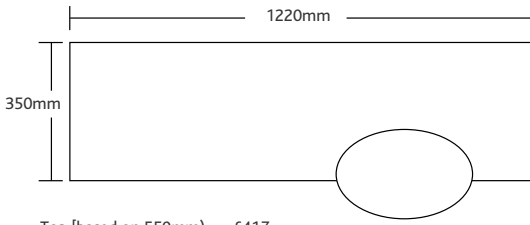
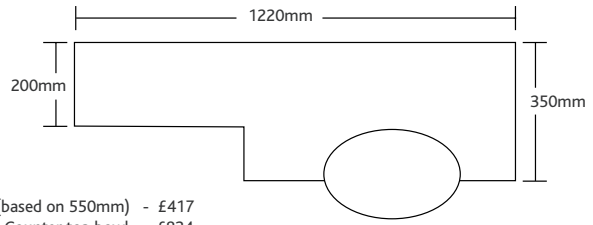


SPECIFICATIONS

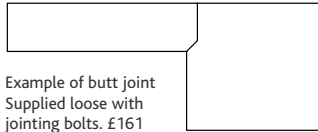
Examples of Solid Surface configurations.



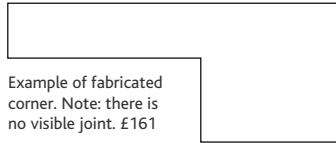
Top [based on 550mm] - £417
 Semi Counter top bowl - £834
TOTAL - £1251



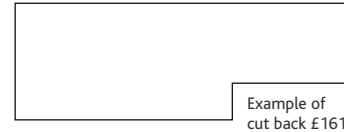
Top [based on 550mm] - £417
 Semi Counter top bowl - £834
 Cut back - £161
TOTAL - £1251



Example of butt joint
 Supplied loose with
 jointing bolts. £161

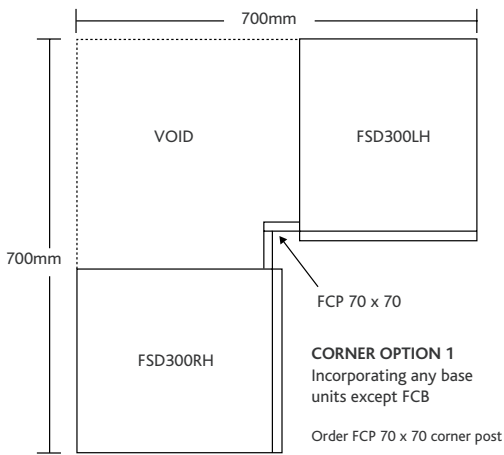


Example of fabricated
 corner. Note: there is
 no visible joint. £161

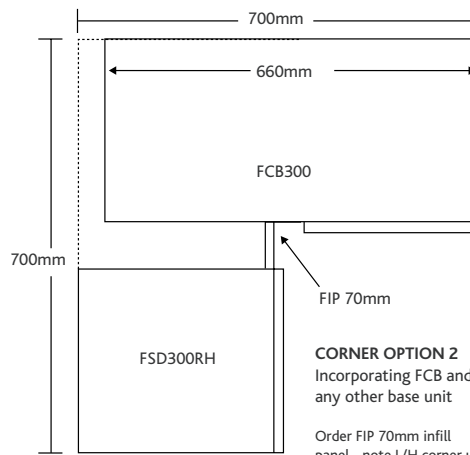


Example of
 cut back £161

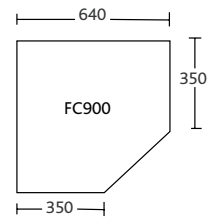
EXAMPLES OF CORNER CONFIGURATIONS



CORNER OPTION 1
 Incorporating any base
 units except FCB
 Order FCP 70 x 70 corner post

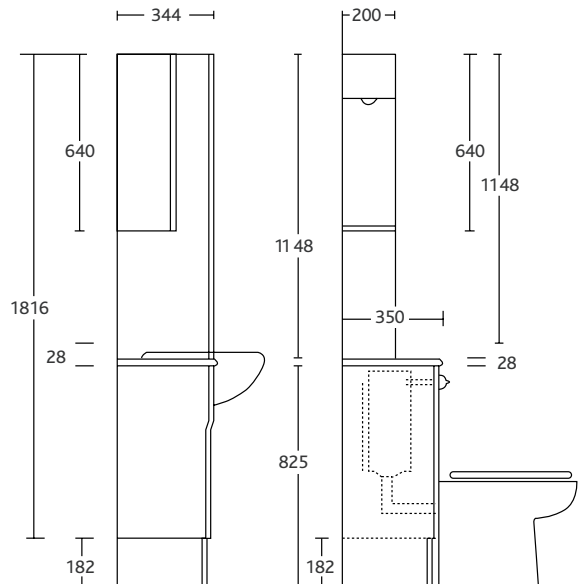
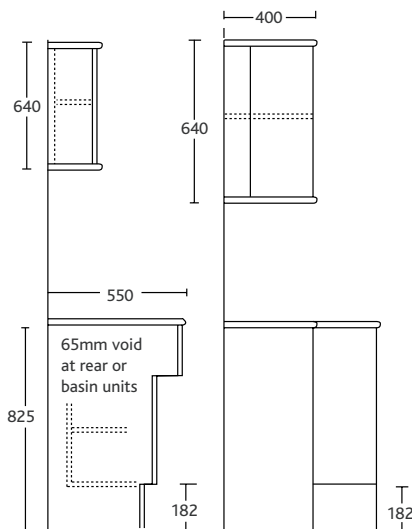


CORNER OPTION 2
 Incorporating FCB and
 any other base unit
 Order FIP 70mm infill
 panel - note L/H corner unit shown



CORNER OPTION 3
 FC900 as illustrated
 on page 49

OTHER INFORMATION



Measurements are in mm. The collection offers a range of Vanity Units and Fitted Furniture which at plinth and carcass height are compatible, designed to give a variety of options in planning your home.