






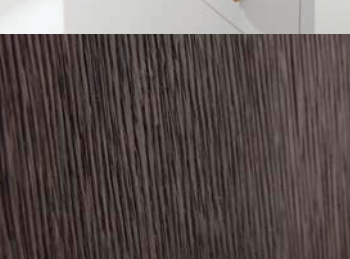
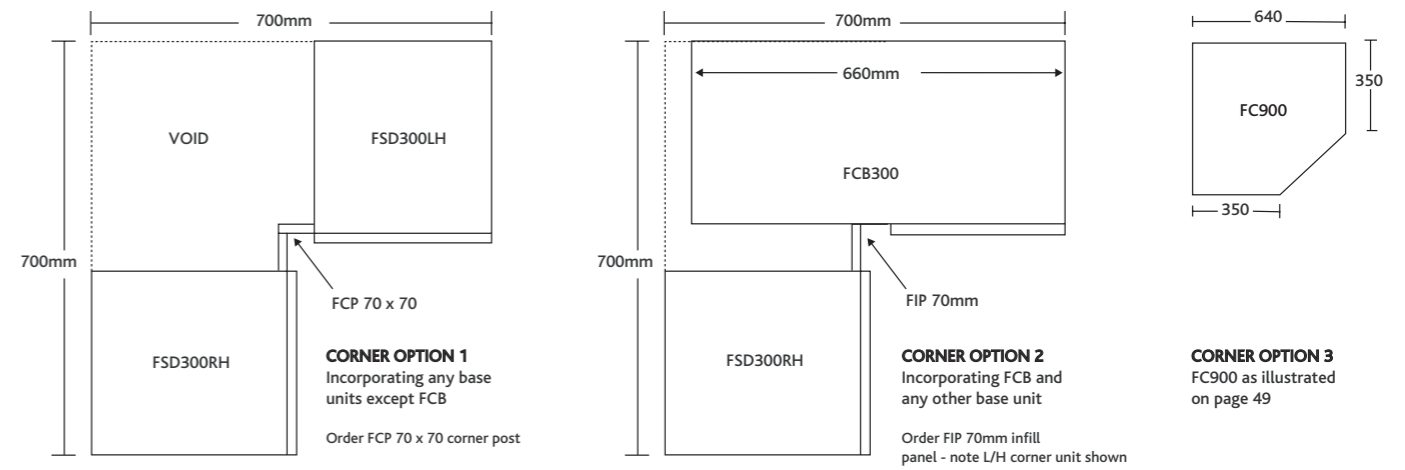
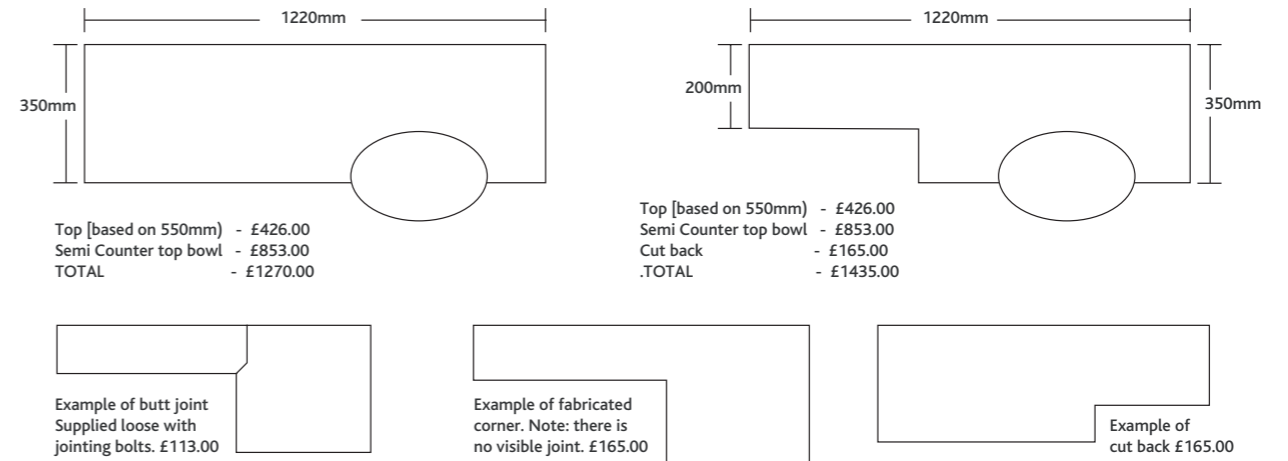


SPECIAL UNITS - NEW RETAIL PRICES FOR SPECIAL UNITS (Excluding VAT).

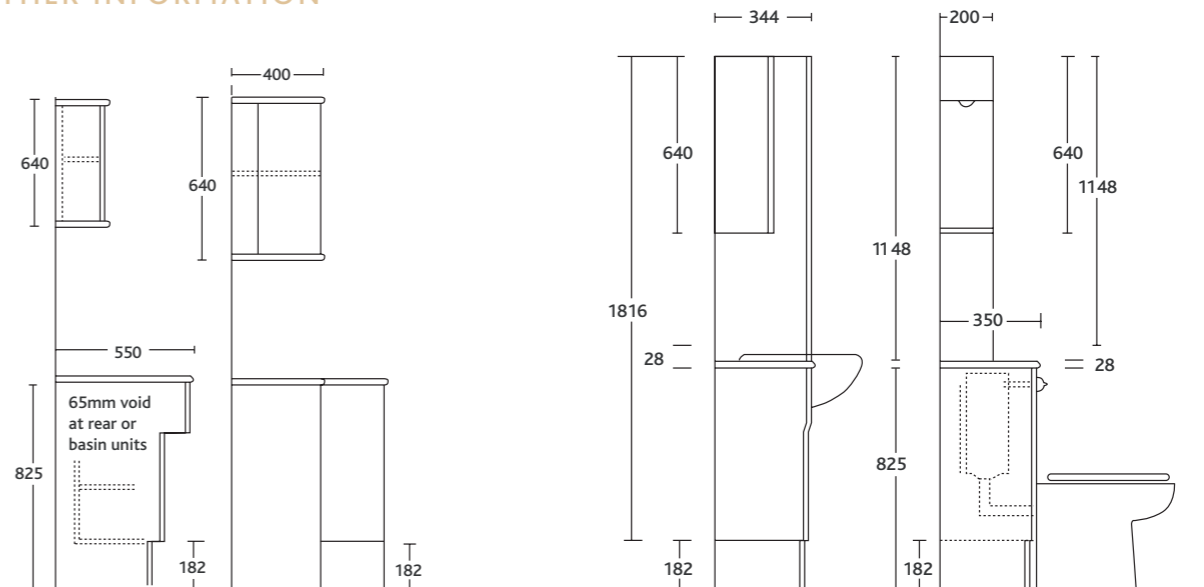
	BURGUNDY GLOSS CARCASS PER UNIT	ADD 20% + VAT
	CAPPUCCINO GLOSS CARCASS PER UNIT	ADD 20% + VAT
	SPECIAL DEPTH PER UNIT (EXC. STD SIZE 200MM, 344MM & 525MM)	ADD 10% + VAT
	SPECIAL WIDTH, DEPTH & HEIGHT PER UNIT	ADD 20% + VAT
	DOVETAIL DRAWER BOXES (PER BOX)	ADD £27.30 + VAT
	PUSH HINGES (PER DOOR)	ADD £8.51 + VAT
	PUSH HINGES (PER DRAWER)	ADD £10.50 + VAT
	NATURA TEXTURED UNITS. (FRONTAGE ONLY) - PER UNIT (Finishes:- Dark Oak, Grey Oak, Natural Oak & Mocca Oak).	ADD 10% + VAT

SPECIFICATIONS

Examples of Solid Surface configurations.



OTHER INFORMATION



Measurements are in mm. The collection offers a range of Vanity Units and Fitted Furniture which at plinth and carcass height are compatible, designed to give a variety of options in planning your home.

We can also produce any Solid Surface fabrications from the complete LG and Corian ranges. Please ask for further details and costings.

DuPont™
CORIAN®

HI-MACS®
Natural Acrylic Stone™

Vanity Hall Furniture would like to thank Bisque Radiators, a division of Zehnder Group UK Ltd and Porcelanosa (Midlands) Ltd.

Due to the limitations of the printing process an exact match cannot be guaranteed although every effort is made to ensure the finishes are as close as possible to the finished items.